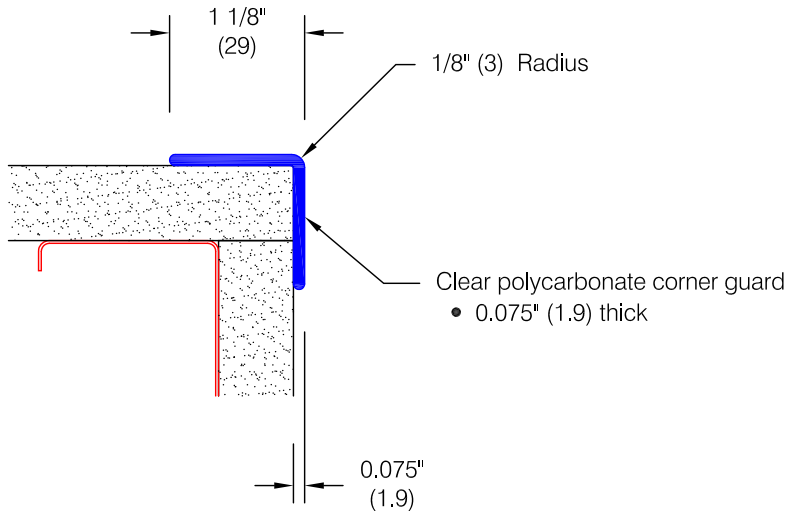


HWPCG-17-4 Polycarbonate Corner Guard HWPCG-17-8



Features:

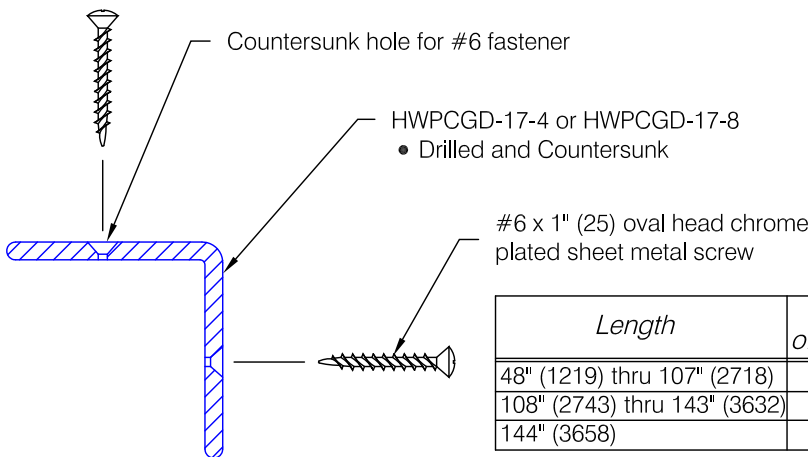
- Extruded Polycarbonate
- U/L 94 Flammability:
V-2 @ 0.125
V-2 @ 0.0625
V-0 @ 0.2500
- Stock lengths 4'-0" (1219) and 8'-0" (2438)
- Custom lengths available
- Mechanical fasteners

Finishes:

- Clear #132 Smooth Finish
- Manufacturer's standard colors (optional)

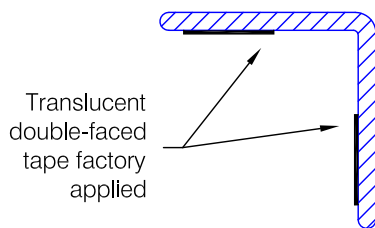
Mounting Options:

- Double-faced tape
- Undrilled (Fastening method by others)



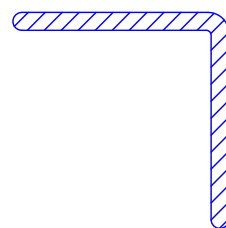
Length	Total # of Screws
48" (1219) thru 107" (2718)	6
108" (2743) thru 143" (3632)	8
144" (3658)	10

Standard Screw Mounted



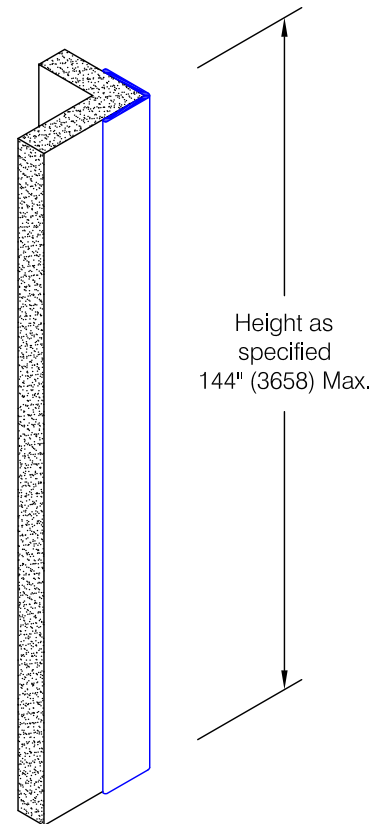
Optional Tape Mounted

(Specify HWPCGT-17-4 or HWPCGT-17-8)



Optional Undrilled

(Specify HWPCGU-17-4 or HWPCGU-17-8)



Hirshfield's reserves the right to discontinue a design or modify an existing design without prior notice