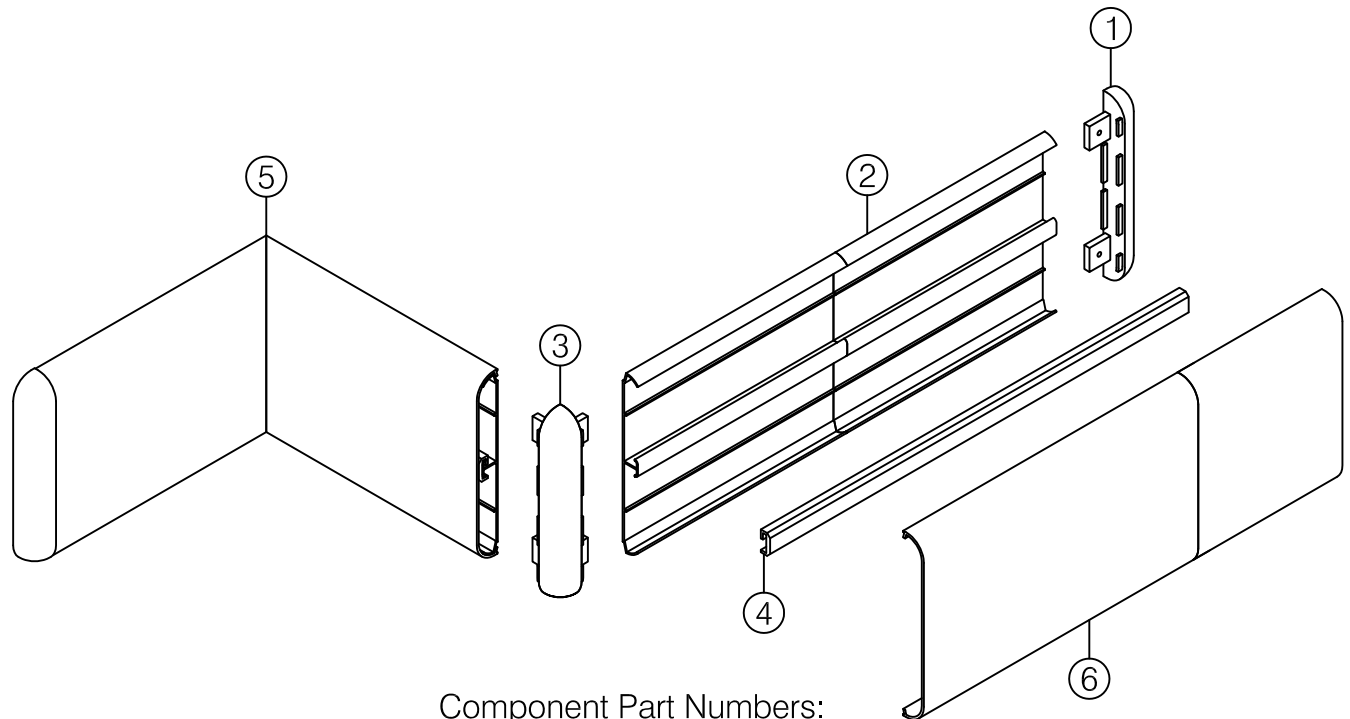
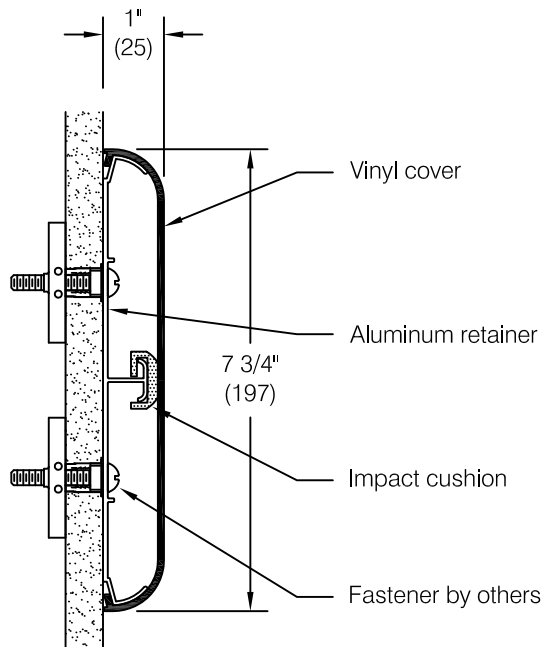


HWPWG-8 Series Wall Guard



Component Part Numbers:

- 1.) HWPEC-8 left/right end cap
- 2.) HWPWGA-8 aluminum retainer
- 3.) HWPOC-8 outside corner
- 4.) HWPWGB-8 impact cushion
- 5.) Mitered corner
- 6.) Snap-on cover
HWPWGV-8 standard textured

- Step 1:** Determine top of wall guard and snap a chalk line 1/8" below to locate top of aluminum retainer, see **fig 1**.
- Important:** Store material in a clean dry place where the temperature is maintained above 50°F (10°C). Walls and rooms should be maintained at a minimum of 65°F (18°C) for at least 48 hours prior to installation. Acclimate materials to normal building conditions for at least 24 hours before cutting and installing.
- Step 2:** Cut aluminum retainer. See **Cutting Adjustment Diagrams and Schedule** for adjustments to aluminum retainer length at end caps and outside corners. Refer to **Minimum Layout Configurations** for additional information. Aluminum should be mitered to accommodate outside corners that are not 90° and all inside corners.
- Important:** All cuts must be square and deburred.
- Step 3:** Pre-drill clearance holes in aluminum retainer using a #15 (.180") bit for #8 fastener or a #7 (.201") bit for #10 and 3/16" fasteners. Stagger mounting holes above and below the accessory alignment ribs at 16" on center such that fasteners are 32" on center along each edge of the retainer, see **fig 2**. If necessary adjust spacing to accommodate studs. Locate holes top and bottom at ends that will butt-join to adjacent retainer. Do not pre-drill at locations that will interfere with installation of molded accessories.
Note: Drill point fasteners may be used without pre-drilling aluminum on drywall installations having continuous metal backer or studs. Continue to pre-drill at locations where no backing or stud is available.
- Step 4:** Pre-drill for attachment of molded accessories by inserting accessory in end of retainer. Press firmly to ensure molded part is seated squarely against the aluminum.
Drywall Installation: Using the accessory as a template pre-drill clearance holes for mounting through to metal backer or stud or pre-drill pilot holes using #29 (.136") bit for #8 fastener or a #21 bit (.159") for #10 fastener for attaching accessories directly to aluminum, see **fig 3**.
Masonry Installation: Using the accessory as a template pre-drill clearance holes at mounting locations, see **fig 3**.
- Step 5:** Install HWPWGB-8 impact cushion by hooking it over the "T" support provided in the retainer, see **fig 4**.
- Step 6:** Fasten aluminum retainer to wall using hardware listed below. Align top edge of retainer with chalk line.
- Important:** Begin installation of aluminum at corners allowing for molded accessories. Use the appropriate accessory as a spacing template. See **Cutting Adjustment Diagrams and Schedule** for additional information. Do not fasten through holes pre-drilled for installation of molded accessories until accessories are installed in **step 7**.
Drywall Installation: Fasten aluminum retainer to wall using hardware listed below. If it is necessary to install fasteners in locations where there is no metal backing or stud use pre-drilled aluminum as a template to mark and drill wall for Toggler® brand toggle bolts or plastic Alligator® insert in accordance with instructions provided with hardware.
Masonry Installation: Using the pre-drilled aluminum as a template, mark and drill the wall at all pre-drilled holes to accept plastic Alligator® insert or 3/16" Tapcon® or similar fastener. Drill in accordance with instructions provided with hardware.
- Suggested hardware :**
- Drywall with metal backing : #8 or #10 Drill point drywall screw or #8 or #10 drill point pan head or hex washer head sheet metal screw.
 - Drywall without stud or backing : Plastic Alligator® insert with #8 or #10 pan head or hex washer head sheet metal screw or 3/16" Toggler® brand toggle bolts with pan head machine screw.
 - Masonry : Plastic Alligator® insert with #8 or #10 pan head or hex washer head sheet metal screw or 3/16" hex washer head Tapcon®.
- Step 7:** Secure accessory components in place using hardware selected in **step 6**.
Caution: Use of a flat washer at accessory mounting tabs is recommended to prevent damage to molded part caused by excessive tightening of the fastener.
- Step 8:** Measure between accessories and cut the HWPWGV-8 vinyl cover accordingly. Miter cut the cover for all angles and corners not accommodated by the molded accessories.
Important: All cuts must be square and deburred.
- Step 9:** Snap the cover in place.

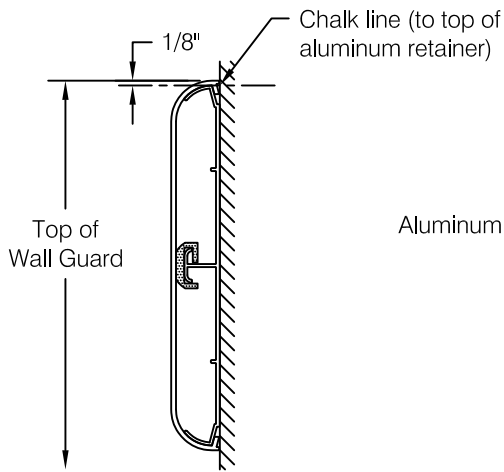


fig 1

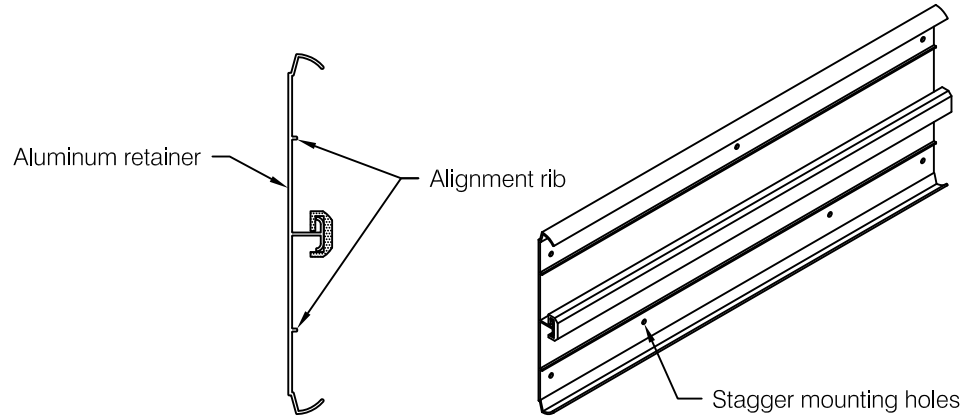


fig 2

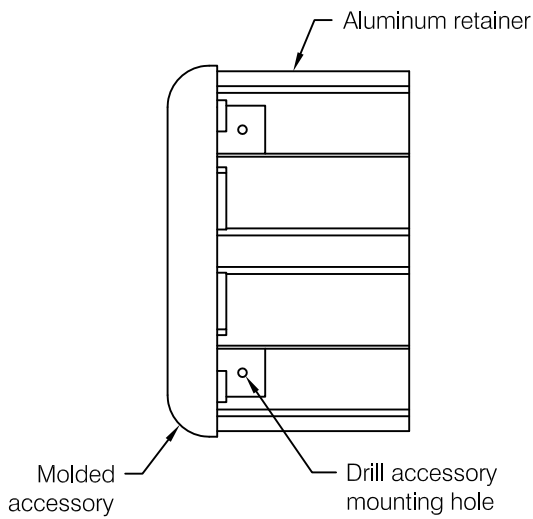


fig 3

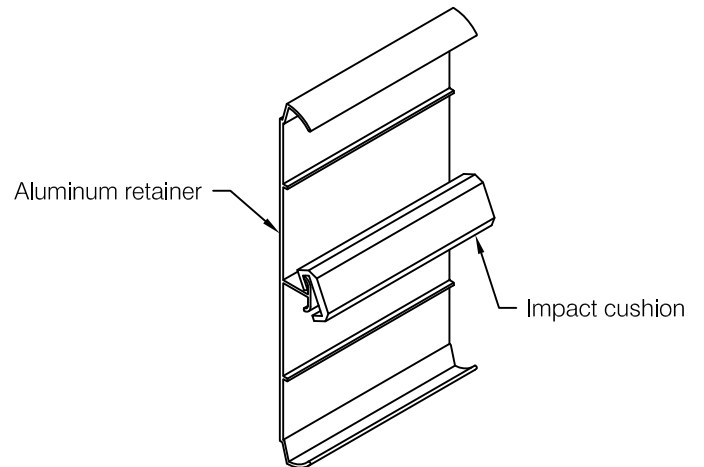
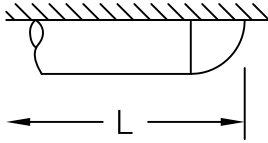
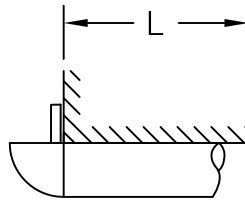


fig 4

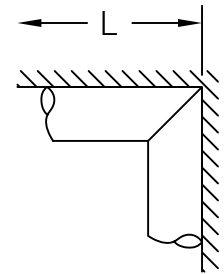
Cutting Adjustment Diagrams and Schedule



End Cap



Outside Corner



Inside Corner

Aluminum Retainer & Snap-on

End Cap	L - 1 1/16"
Outside Corner	L - 0"
Inside Corner	L - 0" (Field Miter)

Important: install aluminum retainer and molded accessories before cutting the snap-on cover.

Minimum Layout Configurations

