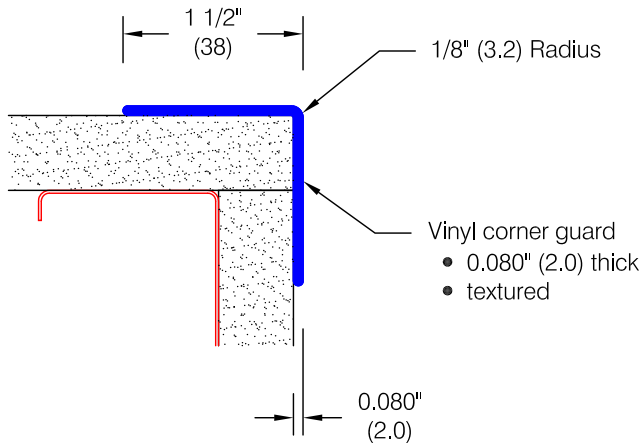


# HWPCGU-12-4 Corner Guard

## HWPCGU-12-8



*Features:*

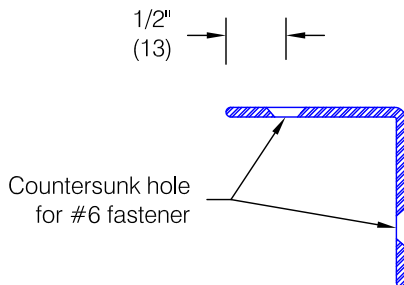
- Class A fire rating
- Stock lengths:  
4'-0" (1219), 8'-0" (2438) & 12'-0" (3658)

*Finishes:*

- Manufacturer's standard colors
- Custom colors available

*Mounting Options:*

- Adhesive  
HWPA adhesive
- Drilled  
Countersunk holes for #6 x 1 1/2" (38) oval head sheet metal screw supplied separately as required
- Taped  
HWPT double sided adhesive tape factory applied to corner guard



*Optional Drilling:*

- Standard spacing: 1" (25) from each end and spaced evenly not to exceed 36" (914) oc

